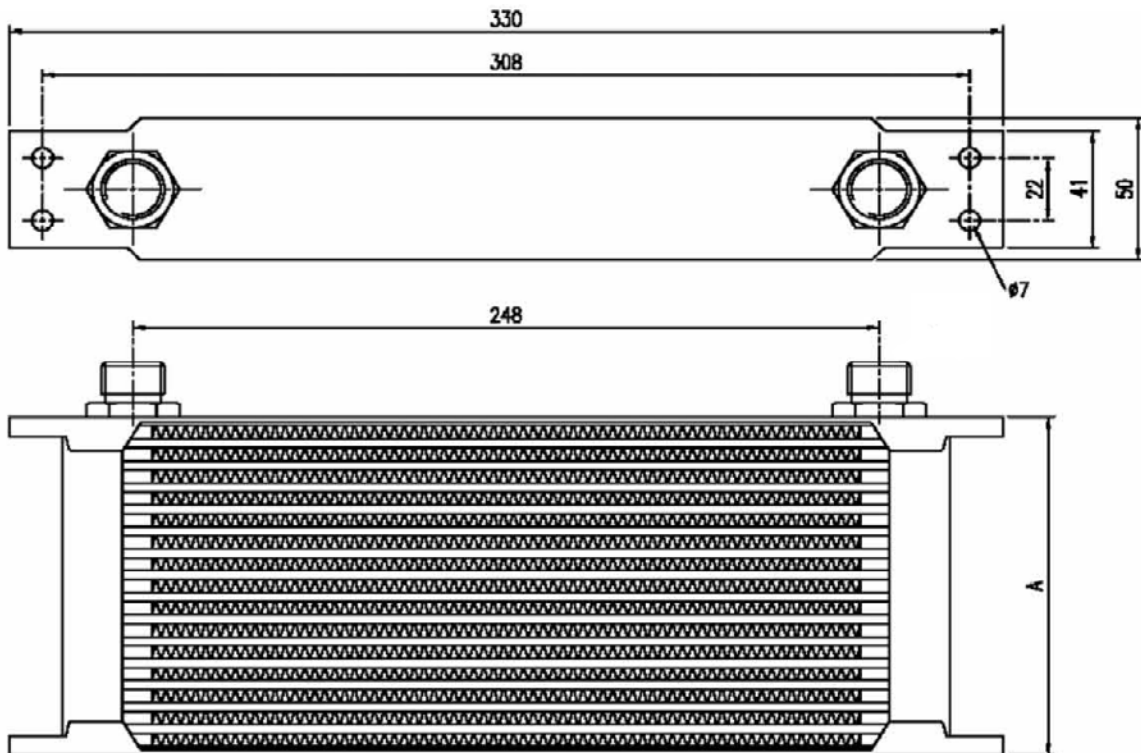


## 12 & 25 Row Light Weight Aluminium Oil Coolers



Maximum recommended working pressure – 150psi / 10 Bar

Part#	Rows	Fitting	Dimensions (mm)
4-12R	12	Male 1/2 BSP	90
4-25R	25	Male 3/4 BSP	190