

## MAXI CONSTRUCTION

The Fluid Dynamics MAXI-RANGE is compact, robust, 26 bar high pressure rating, and is fitted as standard with a PTC valve (pressure and temperature control with pressure relief).

The cooler element is a new concept sturdy aluminium plate type, fitted with high efficiency oil and air louvres. This gives maxi performance in a compact module. A marine grade element is also available.

The cooler housing is made of coated steel and is designed so that elements can be mounted in several positions to suit pipe runs.

The cooler can be used for horizontal or vertical air flow.

A fan guard is fitted as standard.

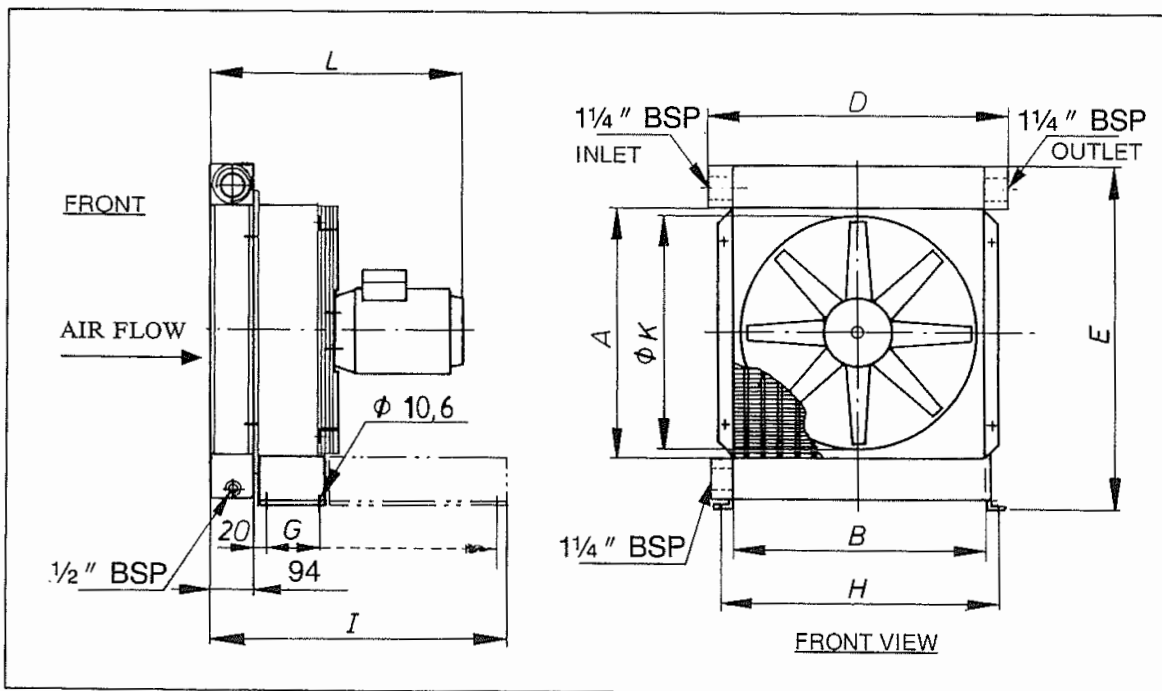
## INSTALLATION

The unit should be piped using flexible hoses eliminating vibrational stress and pulsations.

Air inlet and outlet should be unrestricted.

## OPTIONAL EXTRAS

- Alternative fan drives, hydraulic. dc.
- Fan on / off Temperature Controller.



DIM - mm

Type Maxi	A	B	D	E	G	H	I	K	L (AC)	L (DC)	L (Hydr)	UNIT (kg)	CORE (kg)	Max. Working 26 Bar
20	300	160	235	445	80	352	215	300	420	310	315	20	6	
30	300	320	400	445	80	352	215	300	420	310	315	24	10	
40	400	410	490	540	80	444	215	380	440	310	315	33	17	
50	500	520	600	645	395	540	530	490	450	-	315	45	24	
60	600	630	710	750	395	655	530	600	460	-	315	62	32	
80	800	820	900	945	395	840	530	780	585	-	355	103	52	
90	900	920	1000	1050	395	952	530	890	630	-	355	135	63	