

SANITARY HEAT EXCHANGERS

S-TF20-D

Tube in tube. Compact design. Removable inner tube.

SANITARY LINE

Optimized designs to favor a good CIP (Clean In Place) cleaning of the product channel, guaranteeing the best finishes and the drainability of the equipment.

OPERATION

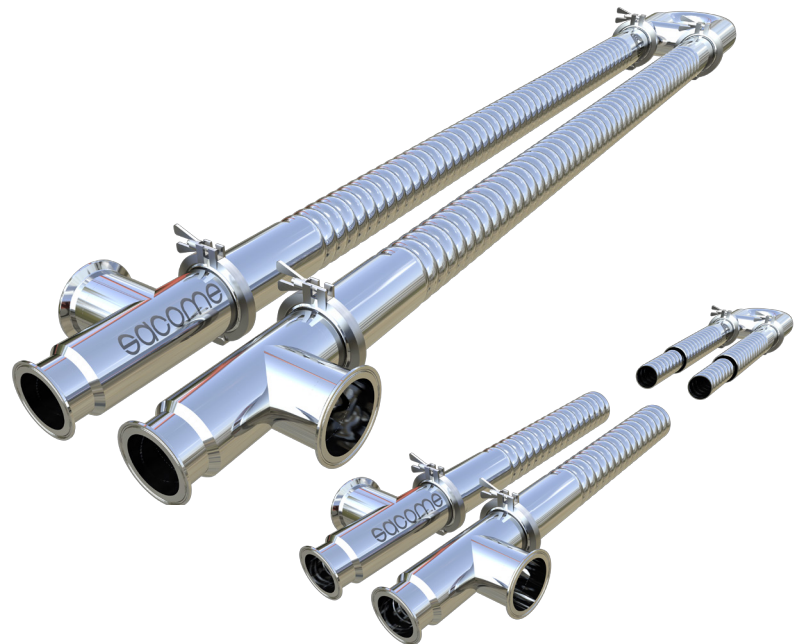
The S-TF20-D is a monotubular heat exchanger consisting of two concentric tubes. The product flows through the inner tube while the service flows through the space between the two tubes.

ADVANTAGES OF CORRUGATION

- *HYGIENIC PROFILE*
- *DIFFERENT CORRUGATION GEOMETRIES (HARD/SOFT/PLAIN)*
- *TURBULENT FLOW (LOWER REYNOLDS NUMBER THAN FOR SMOOTH TUBES)*
- *HIGHER HEAT TRANSFER COEFFICIENTS AND LOWER EXCHANGE AREA*
- *HOMOGENEOUS THERMAL TREATMENT*
- *LOWER FOULING*
- *SHORTER RESIDENCE TIMES*
- *LONGER RUNNING TIMES*

ADVANTAGES OF TUBULAR HEAT EXCHANGER

- *LOW MAINTENANCE COSTS*
- *HIGH WORKING PRESSURES*
- *HIGH WORKING TEMPERATURES*
- *PROCESSING OF PARTICULATE OR FIBRE PRODUCTS*
- *EASY INSPECTION AND DISASSEMBLY*
- *HIGH SECURITY IN ASEPTIC PROCESSES*
- *EASY TO ENLARGE*



APPLICATIONS

Heating processes (pasteurization, sterilization, UHT, etc.) or cooling of products with low-medium viscosity. The products may contain fibers or large particles. This model is designed for products like minced meats, juices or yogurt with pieces, fish by-products, creams, among others.

Discover all the advantages of corrugation in tubular heat exchangers
sacome.com/corrugated-shell-and-tube-heat-exchangers



SACOME HEAT EXCHANGER TYPE DEFINITION

S-TF20-D-0-52/35-6000-304/316L-H →

S

SANITARY LINE

TF20

TUBE IN TUBE

D

REMOVABLE INNER TUBE

0

WITHOUT EXPANSION JOINT

52

Ø SHELL (mm)

35

Ø INNER TUBE (mm)

6000

NOMINAL LENGTH (mm)

304

SHELL SIDE MATERIAL

316L

TUBE SIDE MATERIAL

H/S/P

CORRUGATION INDICATOR

(HARD / SOFT/ PLAIN)



STANDARD DESIGN CONDITIONS

Design temperature
180 °C

Design pressure
10 barg

For higher design pressure or temperatures as well as hazardous fluids, the heat exchangers can be checked according to AD 2000 Merkblätt, ASME VIII Div.1, PD 5500, EN13445 or by Finite Elements Analysis and CE certificated by individual inspection modules.

* Included: 3.1 Quality certificate and CE Marking according to 2014/68/UE.



STANDARD MEASURES

Shell side diameter
23 mm – 204 mm

Inner tube diameter
≥ 16 mm

Length
1-1.5-2-3-6 m

* Other available sizes under request.



MATERIALS

Shell & Tubes
Stainless Steel 304 or 316L

* Other materials available on request (2205, 2507, 254 SMO among others).



AVAILABLE CONNECTIONS

Clamp
Flange
DIN 11851

* Other connections available on request.



SURFACE FINISH

External
External Polished

Product side
Product channel designed to promote CIP (Clean In Place).



OPTIONS

INSULATION

Mineral wool coated in 304 stainless steel metal sheet.

INTERCONNECTIONS

In case the equipment contains several units in series, SACOME can provide the interconnections for the product channel and the service channel. This model is specially designed to get compact frames.

FRAME

In 304 stainless steel. The type and shape of the frame will be selected to fit the needs of each project. If required, equipment may be sloping for better drainage.

